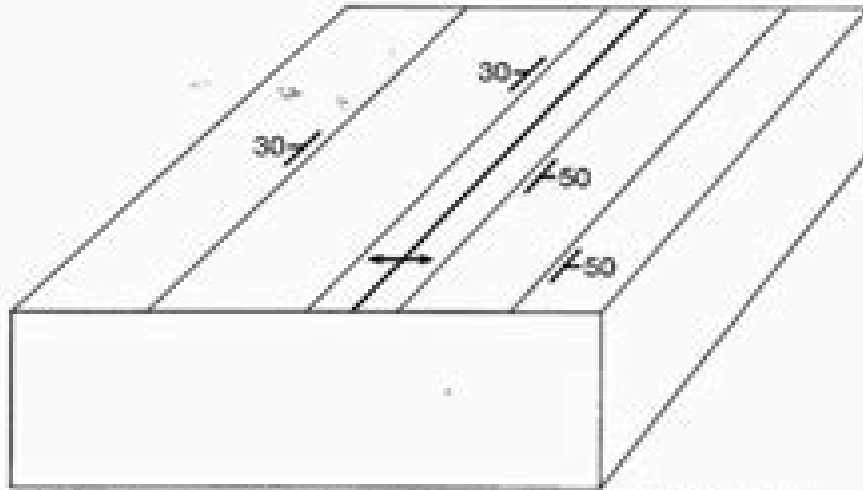
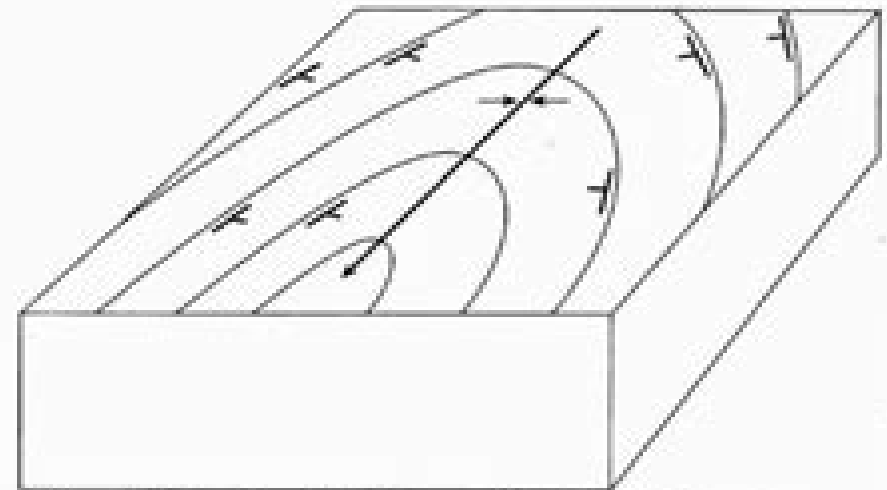


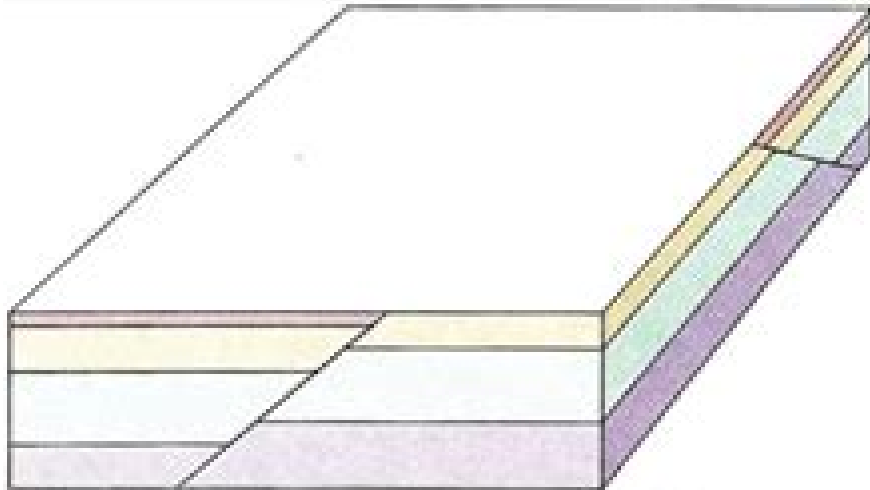
Instructions: Complete the block diagrams by drawing the geologic contacts and all applicable map symbols (strike & dip symbols, fold axes, fold axes, faults, etc.) for the structures that are shown, then write the name of the geologic structure in the space below the block.



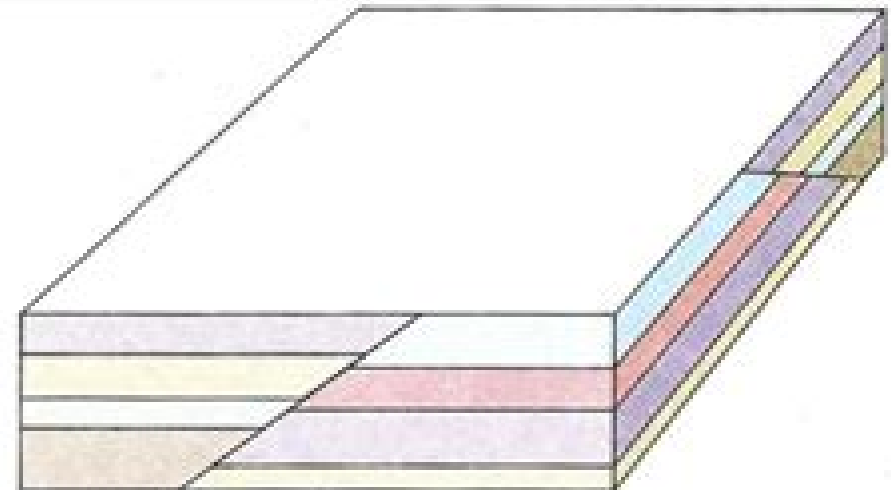
E. Complete the sides of the diagram. What geologic structure is present?



F. Complete the sides of the diagram. What geologic structure is present?



G. Complete top of diagram. Add appropriate symbols. What geologic structure is present?



H. Complete top of the diagram. Add appropriate symbols. What geologic structure is present?

Structural Geology Block Diagrams

Richard H. Groshong



Structural Geology Block Diagrams

Graphic Methods in Structural Geology William L. Donn, John A. Shimer, 1958

Structural Analysis and Synthesis Stephen M. Rowland, Ernest M. Duebendorfer, Ilsa M. Schiefelbein, 2013-05-06 This widely used highly readable introduction to structural analysis is specifically designed to support the laboratory work of undergraduates in structural geology courses The new third edition includes New and amended exercises and redrafted figures to improve clarity A single fold out map of the Bree Creek Quadrangle a mythical site used to help students analyze various aspects of the geologic structures exposed within this quadrangle and ultimately to develop a grand synthesis A user friendly spiral binding ideal for work in the lab or out in the field An Instructor manual CD ROM for this title is available Please contact our Higher Education team at HigherEducation.wiley.com for more information

An Introduction to Geological Structures and Maps George M. Bennison, 2012-12-06

Structural Geology and Map Interpretation Ruud Weijermars, 1997

Structural Geology and Personal Computers D.G. De Paor, 1996-12-17 This book will help structural geologists keep abreast of rapid changes in work practices resulting from the personal computer revolution It is organized into six parts I Computer Aided Learning II Microstructural Analysis III Analysis of Orientation Data IV Strain and Kinematic Analysis V Mathematical and Physical Modeling VI Structural Mapping and GIS The 45 contributing authors explain how to set up computer aided teaching and learning facilities on a low budget illustrate tectonic strain concepts with a drawing program integrate multimedia presentations into structural coursework analyze microstructures with computer aided microscopy produce sophisticated stereonet with custom software for both the Mac and IBM PC evaluate orientation data using a spreadsheet program model the development of macrostructures and microstructures numerically integrate structural and geophysical data and apply PC technology to the production of structural maps cross sections and block diagrams The editor's own contributions reveal the inner workings of his renowned structural research applications which are used in hundreds of universities worldwide Commercial and non commercial applications of particular interest to structural geologists are reviewed This volume will prove an invaluable resource for professors instructors and research students as well as research scientists in the public services and exploration industries If you are such a person have you lectured with the aid of a gyroscopic mouse Or used Bzier curves to model heterogeneous deformation Or analyzed a fold structure using a digital terrain model If not you need to rush out and buy this book before the next wave of new technology hits

An Introduction to Geological Structures and Maps George M Bennison, Paul A Olver, Keith A Moseley, 2013-11-26 An Introduction to Geological Structures and Maps is a concise and accessible textbook providing simple structural terminology and map problems which introduce geological structures. It is a perfect introduction to mapping for students of geology, engineering geology, and civil engineering. Each topic is explained and illustrated by figures and exercises follow on successive maps. If students are unable to complete an exercise they can read on to obtain more specific instructions on how theory may be used to solve the problem. An appendix at the end of the book provides the solutions. This new eighth edition contains simplified introductory matter to make the subject as easy to grasp as possible. Colour photographs illustrating geological structures bring the subject to life and a new map from the British Geological Survey illustrates a real area. There is more on outcrop patterns which will help students to think in 3D and on structures and the relationship of topography to geological structure. Cliff sections have been added to reinforce the concept of apparent dip. The section on planetary geology has been more closely tied to igneous geology to aid understanding of the connection between the two. Finally a new map on economic geology has been added for the benefit of engineering students. A geological glossary helps students to understand and memorise key terms and a new colourful text design enlivens the appearance of this popular book.

Structural Geology Donal M. Ragan, 1973 A revised and expanded edition presenting a modern introduction to geometrical techniques used in structural geology designed for a one semester basic course. Incorporating the latest techniques developed since publication of the second edition it includes a new chapter on thrust faults, an integrated discussion of the accuracy of field measurements, many worked out problems and a new appendix on spherical trigonometry.

The Use of Stereographic Projection in Structural Geology Frank Coles Phillips, 1960

An Introduction to Geological Structures and Maps George Mills Bennison, Keith Anthony Moseley, 2003 A concise text that leads students in easy stages from the simplest ideas on geological structures right through to more advanced geological mapping technique. This considerably enlarged seventh edition aims to make the book even more user friendly and bring it into line with present trends in map syllabuses. This edition includes photographs that will significantly add to the understanding of geological structures already illustrated by text figures and block diagrams in the appendix.

3-D Structural Geology Richard H. Groshong, 2013-03-14 This is a handbook of practical techniques for making the best possible interpretation of geological structures at the map scale and for extracting the maximum amount of information from surface and subsurface maps. Quantitative methods are emphasized throughout and analytical solutions are given. Interpretation strategies are defined for GIS or CAD users yet are simple enough to be done by hand. This book will help users produce better geological maps, judge the quality of existing maps and locate and fix mapping errors.

Geological Structures and Maps Richard J. Lisle, 2004 This highly illustrated student guide introduces the skills of interpreting a geological map and relating it to the morphology of the most important types of geological structure Thoroughly revised and with more international examples it is ideal for use by students with a minimum of tutorial supervision Photographs of structures are set alongside their representations on maps The maps used in exercises have been chosen to provide all of the realism of a survey map without the huge amount of data often present so that students can develop skills without becoming overwhelmed or confused In particular emphasis is placed throughout on developing the skill of three dimensional visualization so important to the geologist Successful practical guide provides a solid introduction to the subject of geological maps Fully revised edition includes more international examples to increase the breadth of your knowledge Illustrations and end of chapter questions make this an ideal tool to aid self guided study

Structural Geology Robert J. Twiss, Eldridge M. Moores, 2006-12-15 When first published Structural Geology broke new ground by offering a comprehensive richly illustrated survey of the evolution of the earth's outer layers presented within the unifying context of structural and plate tectonics Now this highly regarded text returns in thoroughly updated new edition designed to show students how geologists interpret deformations in the earth's crust as clues to the processes that are continually recasting the planet Structural Geology Art Download Instructors can download a zip file 47 mb with the art from Structural Geology Second Edition in jpeg format [here](#)

3-D Structural Geology Richard H. Groshong, 2006-07-09 The book includes new material in particular examples of 3 D models and techniques for using kinematic models to predict fault and ramp anticline geometry The book is geared toward the professional user concerned about the accuracy of an interpretation and the speed with which it can be obtained from incomplete data Numerous analytical solutions are given that can be easily implemented with a pocket calculator or a spreadsheet

Structural Geology Marland Pratt Billings, 1954

Fundamentals of Structural Geology David D. Pollard, Raymond C. Fletcher, 2005-09 A modern quantitative approach to structural geology and tectonics for advanced students and researchers

Elements of Structural Geology E. S. Hills, 2012-12-06

Structural Geology Haakon Fossen, 2016-03-03 This market leading textbook has been updated to include a chapter on joints and veins additional examples and stunning new photos

Elements of Structural Geology Edwin Sherbon Hills, 1963

The Mapping of Geological Structures K. R. McClay, 2013-06-17 Detailed mapping and analysis of the structural features of rocks enable the 3D geometry of their structures to be reconstructed The resulting evidence of the stresses and movement patterns which rocks have undergone indicates the processes by which they were formed and allows evaluation of past deformations of the earth's crust Written to show how one actually describes measures and records rock structures such as folds and faults with the emphasis on accuracy detail and on going interpretation throughout this handbook gives students and enthusiasts the practical information and guidance which allows their fieldwork to become vastly more rewarding the author is to be congratulated on producing such an excellent text The whole range of mapping techniques that an undergraduate student will require are described and the book will still be immense help to post graduates setting out on their research work The book represents extremely good value and is thoroughly recommended C R L Friend Mineralogical Magazine

Structural Geology A.R. Bhattacharya, 2022-09-01 This textbook is a complete up to date and highly illustrated account of Structural Geology for students and professionals and includes fundamentals of the subject with field and practical aspects The book aims to be highly reader friendly containing simple language and brief introductions and summaries for each topic presented and can be used both to refresh overall knowledge of the subject as well as to develop models for engineering projects in any area or region The book is presented in 20 chapters and divided into 3 parts A Fundamental Concepts B Structures Geometry and Genesis and C Wider Perspectives For the first time as full chapters in a textbook the book discusses several modern field related applications in Structural Geology including shear sense indicators and deformation and metamorphism Also uniquely included are colored photographs side by side with line diagrams of key deformation structures not seen in other books before now Boxes in each chapter expand the horizons of the reader on the subject matter of the chapter Questions at the end of each chapter and detailed significance of the key structures provide a better grasping to students Glossary at the end of the book is a refreshing aspect for the readers Though written primarily for undergraduate and graduate students the text will also be of use to specialists and practitioners in engineering geology petrology igneous sedimentary and metamorphic economic geology groundwater geology petroleum geology and geophysics and will appeal to beginners with no preliminary knowledge of the subject

This Enthralling World of Kindle Books: A Thorough Guide Unveiling the Benefits of E-book Books: A World of Ease and Flexibility Kindle books, with their inherent portability and ease of access, have liberated readers from the limitations of hardcopy books. Gone are the days of carrying cumbersome novels or meticulously searching for specific titles in bookstores. E-book devices, stylish and lightweight, effortlessly store an extensive library of books, allowing readers to indulge in their preferred reads whenever, everywhere. Whether traveling on a busy train, relaxing on a sunny beach, or simply cozying up in bed, E-book books provide an exceptional level of ease. A Literary Universe Unfolded: Discovering the Vast Array of Kindle Structural Geology Block Diagrams The Kindle Store, a virtual treasure trove of bookish gems, boasts an wide collection of books spanning varied genres, catering to every readers preference and choice. From gripping fiction and mind-stimulating non-fiction to timeless classics and contemporary bestsellers, the Kindle Shop offers an unparalleled variety of titles to discover. Whether looking for escape through immersive tales of fantasy and adventure, delving into the depths of past narratives, or broadening ones knowledge with insightful works of scientific and philosophy, the Kindle Store provides a doorway to a literary world brimming with endless possibilities. A Revolutionary Factor in the Bookish Scene: The Persistent Impact of Kindle Books Structural Geology Block Diagrams The advent of E-book books has undoubtedly reshaped the bookish scene, introducing a model shift in the way books are published, distributed, and read. Traditional publishing houses have embraced the digital revolution, adapting their strategies to accommodate the growing need for e-books. This has led to a rise in the accessibility of Kindle titles, ensuring that readers have entry to a wide array of literary works at their fingertips. Moreover, E-book books have equalized access to books, breaking down geographical limits and providing readers worldwide with similar opportunities to engage with the written word. Regardless of their place or socioeconomic background, individuals can now engross themselves in the intriguing world of literature, fostering a global community of readers. Conclusion: Embracing the E-book Experience Structural Geology Block Diagrams Kindle books Structural Geology Block Diagrams, with their inherent convenience, versatility, and vast array of titles, have certainly transformed the way we experience literature. They offer readers the freedom to discover the limitless realm of written expression, anytime, anywhere. As we continue to travel the ever-evolving digital scene, E-book books stand as testament to the enduring power of storytelling, ensuring that the joy of reading remains accessible to all.

Table of Contents Structural Geology Block Diagrams

1. Understanding the eBook Structural Geology Block Diagrams
 - The Rise of Digital Reading Structural Geology Block Diagrams
 - Advantages of eBooks Over Traditional Books

2. Identifying Structural Geology Block Diagrams
 - Exploring Different Genres
 - Considering Fiction vs. Non-Fiction
 - Determining Your Reading Goals
3. Choosing the Right eBook Platform
 - Popular eBook Platforms
 - Features to Look for in an Structural Geology Block Diagrams
 - User-Friendly Interface
4. Exploring eBook Recommendations from Structural Geology Block Diagrams
 - Personalized Recommendations
 - Structural Geology Block Diagrams User Reviews and Ratings
 - Structural Geology Block Diagrams and Bestseller Lists
5. Accessing Structural Geology Block Diagrams Free and Paid eBooks
 - Structural Geology Block Diagrams Public Domain eBooks
 - Structural Geology Block Diagrams eBook Subscription Services
 - Structural Geology Block Diagrams Budget-Friendly Options
6. Navigating Structural Geology Block Diagrams eBook Formats
 - ePub, PDF, MOBI, and More
 - Structural Geology Block Diagrams Compatibility with Devices
 - Structural Geology Block Diagrams Enhanced eBook Features
7. Enhancing Your Reading Experience
 - Adjustable Fonts and Text Sizes of Structural Geology Block Diagrams
 - Highlighting and Note-Taking Structural Geology Block Diagrams
 - Interactive Elements Structural Geology Block Diagrams
8. Staying Engaged with Structural Geology Block Diagrams
 - Joining Online Reading Communities
 - Participating in Virtual Book Clubs
 - Following Authors and Publishers Structural Geology Block Diagrams
9. Balancing eBooks and Physical Books Structural Geology Block Diagrams
 - Benefits of a Digital Library

- Creating a Diverse Reading Collection Structural Geology Block Diagrams
- 10. Overcoming Reading Challenges
 - Dealing with Digital Eye Strain
 - Minimizing Distractions
 - Managing Screen Time
- 11. Cultivating a Reading Routine Structural Geology Block Diagrams
 - Setting Reading Goals Structural Geology Block Diagrams
 - Carving Out Dedicated Reading Time
- 12. Sourcing Reliable Information of Structural Geology Block Diagrams
 - Fact-Checking eBook Content of Structural Geology Block Diagrams
 - Distinguishing Credible Sources
- 13. Promoting Lifelong Learning
 - Utilizing eBooks for Skill Development
 - Exploring Educational eBooks
- 14. Embracing eBook Trends
 - Integration of Multimedia Elements
 - Interactive and Gamified eBooks

Structural Geology Block Diagrams Introduction

In this digital age, the convenience of accessing information at our fingertips has become a necessity. Whether its research papers, eBooks, or user manuals, PDF files have become the preferred format for sharing and reading documents. However, the cost associated with purchasing PDF files can sometimes be a barrier for many individuals and organizations. Thankfully, there are numerous websites and platforms that allow users to download free PDF files legally. In this article, we will explore some of the best platforms to download free PDFs. One of the most popular platforms to download free PDF files is Project Gutenberg. This online library offers over 60,000 free eBooks that are in the public domain. From classic literature to historical documents, Project Gutenberg provides a wide range of PDF files that can be downloaded and enjoyed on various devices. The website is user-friendly and allows users to search for specific titles or browse through different categories. Another reliable platform for downloading Structural Geology Block Diagrams free PDF files is Open Library. With its vast collection of over 1 million eBooks, Open Library has something for every reader. The website offers a seamless experience by providing options to borrow or download PDF files. Users simply need to create a free account to access this treasure

trove of knowledge. Open Library also allows users to contribute by uploading and sharing their own PDF files, making it a collaborative platform for book enthusiasts. For those interested in academic resources, there are websites dedicated to providing free PDFs of research papers and scientific articles. One such website is Academia.edu, which allows researchers and scholars to share their work with a global audience. Users can download PDF files of research papers, theses, and dissertations covering a wide range of subjects. Academia.edu also provides a platform for discussions and networking within the academic community. When it comes to downloading Structural Geology Block Diagrams free PDF files of magazines, brochures, and catalogs, Issuu is a popular choice. This digital publishing platform hosts a vast collection of publications from around the world. Users can search for specific titles or explore various categories and genres. Issuu offers a seamless reading experience with its user-friendly interface and allows users to download PDF files for offline reading. Apart from dedicated platforms, search engines also play a crucial role in finding free PDF files. Google, for instance, has an advanced search feature that allows users to filter results by file type. By specifying the file type as "PDF," users can find websites that offer free PDF downloads on a specific topic. While downloading Structural Geology Block Diagrams free PDF files is convenient, it's important to note that copyright laws must be respected. Always ensure that the PDF files you download are legally available for free. Many authors and publishers voluntarily provide free PDF versions of their work, but it's essential to be cautious and verify the authenticity of the source before downloading Structural Geology Block Diagrams. In conclusion, the internet offers numerous platforms and websites that allow users to download free PDF files legally. Whether it's classic literature, research papers, or magazines, there is something for everyone. The platforms mentioned in this article, such as Project Gutenberg, Open Library, Academia.edu, and Issuu, provide access to a vast collection of PDF files. However, users should always be cautious and verify the legality of the source before downloading Structural Geology Block Diagrams any PDF files. With these platforms, the world of PDF downloads is just a click away.

FAQs About Structural Geology Block Diagrams Books

How do I know which eBook platform is the best for me? Finding the best eBook platform depends on your reading preferences and device compatibility. Research different platforms, read user reviews, and explore their features before making a choice. Are free eBooks of good quality? Yes, many reputable platforms offer high-quality free eBooks, including classics and public domain works. However, make sure to verify the source to ensure the eBook credibility. Can I read eBooks without an eReader? Absolutely! Most eBook platforms offer webbased readers or mobile apps that allow you to read eBooks on your computer, tablet, or smartphone. How do I avoid digital eye strain while reading eBooks? To prevent digital eye strain, take regular breaks, adjust the font size and background color, and ensure proper lighting while reading eBooks.

What the advantage of interactive eBooks? Interactive eBooks incorporate multimedia elements, quizzes, and activities, enhancing the reader engagement and providing a more immersive learning experience. Structural Geology Block Diagrams is one of the best book in our library for free trial. We provide copy of Structural Geology Block Diagrams in digital format, so the resources that you find are reliable. There are also many Ebooks of related with Structural Geology Block Diagrams. Where to download Structural Geology Block Diagrams online for free? Are you looking for Structural Geology Block Diagrams PDF? This is definitely going to save you time and cash in something you should think about. If you trying to find then search around for online. Without a doubt there are numerous these available and many of them have the freedom. However without doubt you receive whatever you purchase. An alternate way to get ideas is always to check another Structural Geology Block Diagrams. This method for see exactly what may be included and adopt these ideas to your book. This site will almost certainly help you save time and effort, money and stress. If you are looking for free books then you really should consider finding to assist you try this. Several of Structural Geology Block Diagrams are for sale to free while some are payable. If you arent sure if the books you would like to download works with for usage along with your computer, it is possible to download free trials. The free guides make it easy for someone to free access online library for download books to your device. You can get free download on free trial for lots of books categories. Our library is the biggest of these that have literally hundreds of thousands of different products categories represented. You will also see that there are specific sites catered to different product types or categories, brands or niches related with Structural Geology Block Diagrams. So depending on what exactly you are searching, you will be able to choose e books to suit your own need. Need to access completely for Campbell Biology Seventh Edition book? Access Ebook without any digging. And by having access to our ebook online or by storing it on your computer, you have convenient answers with Structural Geology Block Diagrams To get started finding Structural Geology Block Diagrams, you are right to find our website which has a comprehensive collection of books online. Our library is the biggest of these that have literally hundreds of thousands of different products represented. You will also see that there are specific sites catered to different categories or niches related with Structural Geology Block Diagrams So depending on what exactly you are searching, you will be able to choose ebook to suit your own need. Thank you for reading Structural Geology Block Diagrams. Maybe you have knowledge that, people have search numerous times for their favorite readings like this Structural Geology Block Diagrams, but end up in harmful downloads. Rather than reading a good book with a cup of coffee in the afternoon, instead they juggled with some harmful bugs inside their laptop. Structural Geology Block Diagrams is available in our book collection an online access to it is set as public so you can download it instantly. Our digital library spans in multiple locations, allowing you to get the most less latency time to download any of our books like this one. Merely said, Structural Geology Block Diagrams is universally compatible with any devices to read.

Find Structural Geology Block Diagrams :

~~how do i make a solar panel~~

~~eni manual de aplicacion 4~~

~~surah asr in english translation~~

~~charlottes web grade 4 unit test~~

~~the safety of objects~~

~~mckenzie's an introduction to community & public health pdf~~

~~auf einem ohr taub behinderungsgrad~~

~~solucionario fisica vol 1 alonso finn~~

~~why did curley's wife marry curley~~

~~dio non gioca a dadi con l'universo~~

~~el espiritu santo el gran desconocido pdf~~

~~quotes about death of grandma~~

~~resumen escritores de la libertad 3~~

~~kingdom of blood and ash~~

~~se pa pou dat meaning in english~~

Structural Geology Block Diagrams :

i classici nostri contemporanei nuovo esame di stato per le - May 30 2022

web i classici nostri contemporanei nuovo esame di stato per le scuole superiori con e book con espansione online vol 2 4

baldi guido giusso silvia razetti mario amazon it libri

tacito il dramma della storia con espansione online - Jan 06 2023

web tacito il dramma della storia con espansione online è un libro scritto da giacinto agnello arnaldo orlando pubblicato da palumbo nella collana leggere i classici oggi libreria it

storie senza confini con leggere i classici per la scuola media con - Sep 14 2023

web storie senza confini con leggere i classici per la scuola media con e book con espansione online vol 1 assandri alice

assandri pino mutti elena amazon it libri

i classici nostri contemporanei nuovo esame di stato per le - Oct 03 2022

web i classici nostri contemporanei nuovo esame di stato per le scuole superiori con e book con espansione online vol 5 1

baldi guido giusso silvia razetti mario amazon it libri libri

leggere i classici per la scuola media con espansione online - Jun 11 2023

web sconti fino 50 acquista libro al prezzo più basso leggere i classici per la scuola media con espansione online

9788808301031 di pino assandri

libri grandi classici della letteratura libreria ibs - Jun 30 2022

web classici della letteratura italiana i libri che hanno fatto la storia della nostra letteratura da leggere assolutamente una volta nella vita dialoghi con leucò di cesare pavese 10 45 11 00 il deserto dei tartari nuova ediz di dino buzzati 13 78 14 50

pearson imparare dai classici a progettare il futuro - Jul 12 2023

web una letteratura che mette in luce il valore dei testi letterari per comprendere il presente e progettare il futuro un'opera che cura in particolare l'aggiornamento disciplinare e interpretativo e propone un progetto didattico e digitale innovativo in linea con le esigenze della contemporaneità

il rifugio segreto con strumenti leggere i classici con espansione - Nov 04 2022

web con strumenti leggere i classici con espansione online per la scuola media vol 1 9788808064370 libreria universitaria libri scolastici bambini e ragazzi materiale educativo 27 00 fuori catalogo non ordinabile scegli il punto di consegna e ritira quando vuoi scopri come

leggere i classici con espansione online amazon it - Oct 15 2023

web leggere i classici con espansione online assandri pino assandri alice mutti elena amazon it libri leggere i classici

i classici nostri contemporanei nuovo esame di stato per le - Aug 01 2022

web i classici nostri contemporanei nuovo esame di stato per le scuole superiori con e book con espansione online vol 1 baldi guido giusso silvia razetti mario amazon it libri

i classici nostri contemporanei nuovo esame di stato per le - Apr 28 2022

web nuovo esame di stato per le scuole superiori con e book con espansione online 4 italiano baldi guido giusso silvia razetti mario amazon it libri libri

il rifugio segreto leggere i classici per la scuola media con - Mar 08 2023

web acquista il rifugio segreto leggere i classici per la scuola media con espansione online 9788808123152 su libreria universitaria acquista tutti i libri per la tua scuola e ricevili direttamente a casa tua

i classici della letteratura italiana i libri imperdibili kappuccio - May 10 2023

web jul 16 2021 l'italia è una nazione con una storia molto antica non a caso roma è definita caput mundi la storia italiana porta con sé anche altre meraviglie come l'arte la musica e la letteratura in questo articolo vogliamo parlarvi proprio di quest'ultima attraversando i classici perché a volte anche noi ci dimentichiamo quali sono le colonne portanti del nostro

[letteratura greca per il liceo classico con espansione online - Apr 09 2023](#)

web compra letteratura greca per il liceo classico con espansione online l eta classica vol 2 spedizione gratuita su ordini idonei

google libri - Mar 28 2022

web cerca nel più grande indice di testi integrali mai esistito la mia raccolta

[la formazione del lettore i classici con espansione online per le - Sep 02 2022](#)

web acquista la formazione del lettore i classici con espansione online per le scuole superiori 9788842110033 con il 5 di sconto su libreria universitaria acquista tutti i libri per la tua scuola e ricevili direttamente a casa tua

10 libri classici da leggere assolutamente elle - Feb 24 2022

web may 11 2020 questi sono i migliori libri classici da leggere assolutamente da romanzi storici a gialli fino a storie d amore intramontabili per rivivere la storia della letteratura di redazione digital

[9788808301031 leggere i classici con espansione online - Dec 05 2022](#)

web leggere i classici con espansione online encuentre todos los libros de assandri pino assandri alice mutti elena con terralibro com usted puede comprar libros antiguos nuevos y usados inmediatamente y pedirlos al mejor precio

9788808301031 zanichelli copertina flessibile 416 seiten publiziert

storie senza confini con leggere i classici per la scuola media con - Aug 13 2023

web acquista online il libro storie senza confini con leggere i classici per la scuola media con e book con espansione online 1 di alice assandri pino assandri elena mutti in offerta a prezzi imbattibili su mondadori store

[leggere i classici per la scuola media con espansione online - Feb 07 2023](#)

web acquista leggere i classici per la scuola media con espansione online 9788808301031 su libreria universitaria acquista tutti i libri per la tua scuola e ricevili direttamente a casa tua

multiple choice project management questions larson gray - May 25 2022

web project management mar 12 2023 as the market leading textbook on the subject project management the managerial process 4e is distinguished by its balanced treatment of both the technical and behavioral issues in project management as well as by its coverage of a broad range of industries to which project management principles can be

project selection and criteria of choice mcq quiz pdf - Mar 23 2022

web download free apps android ios download project management quiz app human resource management mba mcq app and organizational structure and design mcqs app to install for android ios devices these apps include complete analytics of real time attempts with interactive assessments download play store app store apps enjoy

chapter 02 organization strategy and project selection - Mar 03 2023

web 52 a will typically include a list of potential projects several criteria weights for those criteria and criteria scores for those projects 53 the most common approach to selecting project has been to use the model true false questions 54 project management historically has been preoccupied solely with the

[multiple choice project management questions larson gray](#) - Apr 04 2023

web multiple choice project management questions larson gray project management may 23 2021 this ninth edition of the industry leading project management bible applies its streamlined approach to new authoritative coverage aligned with the project management institute s project management body

project management mcq test vskills practice questions - Jan 01 2023

web submit test take test in project management with mcqs from vskills and brush up your skills for golden opportunities and get ready to get certified

9781259666094 test bank test bank for project management - Sep 09 2023

web multiple choice questions which of the following is not true about an organization s strategy a determines how an organization will compete b strategy is implemented through projects c only top management must understand strategy d selection should be clearly aligned with strategy e project management plays a key role in supporting

top 50 project management professional pmp exam questions - Feb 02 2023

web q1 a manager and the engineering head discuss a change to a major work package after the meeting manger contacts you and tells you to complete the paperwork to make the change this is an example of a management planning b a change control system c management attention to scope management

[chapter 1 project management larson chapter 01 modern](#) - Aug 08 2023

web multiple choice questions the advent of project management has been most profound in a automobile manufacturing b construction c information technology d the u department of defense e film making a professional organization for project management specialists is the a pmi b ama c mis d ipm e pmbok

multiple choice project management questions larson gray - Aug 28 2022

web project management mcq questions project management multiple choice questions and answers 150 pmbok 7 scenario based pmp exam questions and answers 200 agile pmp questions and answers the best preparation for the exam

[project management project selection larson gray 7ed](#) - Oct 10 2023

web topic the strategic management process an overview 43 how strategies will be realized given available resources is answered through this is multiple choice questions to practice in the course project management topic 2 from the book project management the managerial process written by

multiple choice project management questions larson gray - May 05 2023

web multiple choice questions mcq on project management pm part 1 speak like a manager verbs 1 how to pass your pmp exam on your first try tips and tricks that you should know how to memorize the

multiple choice project management questions larson gray - Oct 30 2022

web project management multiple choice questions and answers mcqs project management enterprise resource planning concepts methodologies tools and applications

multiple choice project management questions larson gray jeff - Feb 19 2022

web multiple choice project management questions larson gray eventually you will agreed discover a new experience and endowment by spending more cash yet when reach you say yes that you require to get those all needs afterward having significantly cash why dont you attempt to acquire something basic in the beginning thats something that will lead

multiple choice project management questions larson gray full - Jun 06 2023

web project management pjman are 5 0 mock exam architect registration examination multiple choice project management questions larson gray downloaded from ams istanbul edu tr by guest trevon emmalee operations management rosenfeld media focuses on project management skills for engineering manufacturing

project management project selection larson gray 7ed - Jul 07 2023

web this is multiple choice questions to practice in the course project management topic 2 from the book project management the managerial process written by

project management the managerial process 6th edition sie - Nov 30 2022

web chapter 1 modern project management chapter 2 organization strategy and project selection chapter 3 organization structure and culture chapter 4 defining the project chapter 5 estimating project times and costs chapter 6 developing a project plan chapter 7 managing risk chapter 8 scheduling resources and costs chapter 9

multiple choice project management questions larson gray full - Jun 25 2022

web project management multiple choice questions and answers mcqs the ama handbook of project management chapter 16 preparing for the project management professional certification exam organizational structure and design multiple choice questions and answers mcqs

multiple choice project management questions larson gray - Jul 27 2022

web management multiple choice questions and answers mcqs pdf download an ebook covers solved quiz questions and answers on chapters advance project management advance project

multiple choice project management questions larson gray - Apr 23 2022

web multiple choice project management questions larson gray 1 multiple choice project management questions larson gray eventually you will utterly discover a extra experience and execution by spending more cash nevertheless when reach you

put up with that you require to get those every needs as soon as having significantly cash

multiple choice project management questions larson gray - Sep 28 2022

web multiple choice project management questions larson gray eventually you will unconditionally discover a supplementary experience and attainment by spending more cash yet when do you resign yourself to that you require to get those every needs bearing in mind having significantly

in detention poem analysis by sunita bains prezi - Feb 26 2022

web mar 4 2019 prezi team in detention poem analysis 766 learn about prezi sb sunita bains mon mar 04 2019 outline 21 frames reader view in detention by christopher van wyk poem analysis topic 1 in detention he fell from the ninth floor he hanged himself he slipped on a piece of soap while washing he hanged himself he slipped on a

about christopher van wyk dbpedia association - Nov 06 2022

web christopher chris van wyk 19 july 1957 3 october 2014 was a south african children s book author novelist and poet van wyk is famous for his poem in detention on the suspicious deaths that befell south african political prisoners during apartheid he was also an editor at ravan press

christopher van wyk farewell to a south african literary icon - Jul 14 2023

web oct 13 2014 poet novelist editor storyteller and cultural activist christopher van wyk who lost his battle against cancer on 3 october 2014 was one of south africa s most endearing literary figures

[chris van wyk south african history online](#) - May 12 2023

web oct 3 2014 van wyk had written over 20 books including poetry collections and children s books individual poems have been published in europe turkey the united states of america and canada in 1996 he received the sanlam prize for the best south african short story magic

week 3 worksheet sa poetry copy week three worksheet - Apr 30 2022

web carefully read through christopher van wyk s poem memory before answering the questions to follow the poem was first published in 1989 it can also be found on page 121 of your set edition voices of this land christopher van wyk 1957 2014 memory derek is dangling on the kitchen chair while i m shuffling about in a flutter of

christopher van wyk wikipedia - Aug 03 2022

web christopher van wyk 19 juli 1957 in johannesburg 3 oktober 2014 ebenda häufig chris van wyk war ein südafrikanischer schriftsteller und kulturaktivist er wurde vor allem als kinder und jugendbuchautor aber auch als dichter und autobiograph bekannt leben van wyk wurde

english teachers online network of south africa resources - Dec 27 2021

web the chosen ones by christopher van wyk some people it seems have to carry their crosses for the rest of their lives others

think they can get away with it simply by throwing theirs into ballot boxes what does it mean to carry your cross what is a ballot box another kind of cross is mentioned in the poem what is this kind of cross

the themes of traumatic memory motherhood and home in the poem - Mar 30 2022

web in his poem memory chris van wyk explores the themes of traumatic memory motherhood and home with reference to an event in the speaker s childhood which leaves his mother severely injured say no to plagiarism

chris van wyk memory knowledge4africa - Mar 10 2023

web read this the poet describes a horrifying incident which happened when he was but four years old his mother was making vetkoek in a pan on a primus stove the younger brother was in a chair looking on suddenly the pan of oil fell and the superheated oil oozed towards the little boy the mother stopped the flow by placing her own arm in its path

review my mother s laughter selected poems of chris van wyk - Jun 13 2023

web dec 1 2020 my mother s laughter selected poems of chris van wyk edited by ivan vladislavić robert berold since his death in 2014 chris van wyk s name in the south african literary imagination conjures up his achievements in fiction before poetry

chris van wyk i have my father s voice knowledge4africa - Feb 09 2023

web van wyk has written over 20 books including poetry collections and children s stories he published his first volume of poetry in 1979 it is time to go home which was to win him the prestigious olive schreiner prize the following year

review my mother s laughter selected poems by chris van wyk - Apr 11 2023

web sep 5 2020 my mother s laughter selected poems by chris van wyk compiled and edited by ivan vladislavić and robert berold is one of those literary gems that you will want to have on your bookshelf most readers will know chris van wyk as the author of shirley goodness mercy and its sequel eggs to lay chickens

my mother s laughter african books collective - Dec 07 2022

web chris van wyk 1957 2014 was a writer of poetry books for children a novel two memoirs and other books of non fiction his famous poem in detention uses a scrambled language to show how apartheid police lied about the deaths of political detainees

summary grade 11 poetry analysis in detention by chris van wyk - Jun 01 2022

web sep 11 2022 institution 11th grade analysis of the poem in detention by chris van wyk includes context and structure the message of the poem line by line analysis discussion of the poem preview 1 out of 4 pages

poem analysis in detention chris van wyk blogger - Jul 02 2022

web oct 16 2013 chris van wyk was a poet in the apartheid era as he was of colour it is quite expected that he would have something to say about the country s happenings and does this through poetry this poem portrays a very heavy topic being

the death of many innocent people under imprisonment in a very light hearted and humorous manner

in detention [chris van wyk gimmenotes](#) - Jan 08 2023

web the poem explores the likelihood of the three standard explanations of that time being true 1 the detainee fell from a ninth floor window 2 the detainee slipped on a bar of soap while washing in the shower and 3 the detainee hanged himself

christopher van wyk wikipedia - Aug 15 2023

web christopher van wyk 19 july 1957 3 october 2014 was a south african children s book author novelist and poet van wyk is famous for his poem in detention on the suspicious deaths that befell south african political prisoners

[plot point slip](#) - Jan 28 2022

web may 20 2014 the poem that follows written by south african author and poet christopher van wyk gives an example of an accident that cauterised his childhood write a poem that captures a scene from childhood that defined something about the way you see the world or relate to others

[2019 you have a voice tell your story wits university](#) - Oct 05 2022

web mar 27 2019 storyteller children s book author poet and political activist chris van wyk was this week posthumously honoured when the university s conferred an honorary doctorate on him van wyk who died in 2014 was awarded a doctor of literature dlitt degree that was accepted by his two sons kevin and dr karl van wyk

[home apollo portal](#) - Sep 04 2022

web chris van wyk 1957 2014 was a south african writer editor and poet he lived most of his life in riverlea johannesburg where he felt very much part of the community like many other south african writers of his time van wyk used his